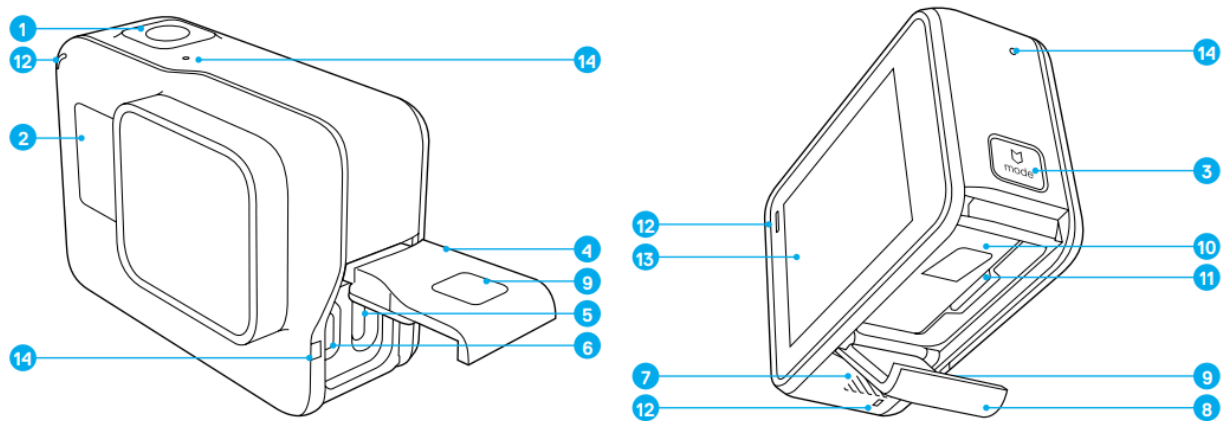




GoPro Hero Camera and Mounts Kit instructions

Diagram



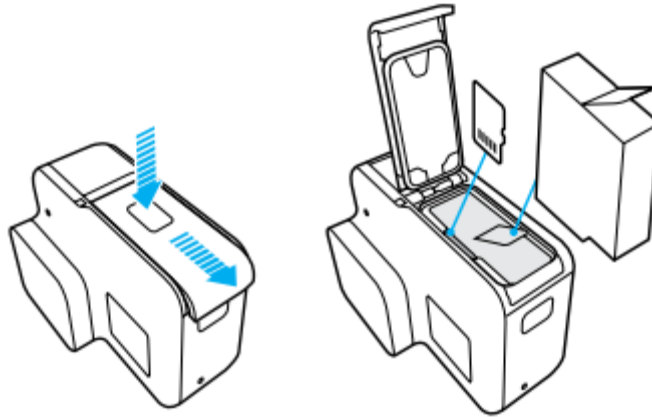
- 1. Shutter Button []
- 2. Camera Status Screen
- 3. Mode Button []
- 4. Side Door
- 5. USB-C Port

- 6. Micro HDMI Port
(cable not included)
- 7. Speaker
- 8. Battery Door
- 9. Latch Release Button

- 10. Battery
- 11. microSD Card Slot
- 12. Camera Status Light
- 13. Touch Display
- 14. Microphone

Insert the battery and Micro SD card

1. Hold down the latch release button on the battery door, then slide the door open.
2. Insert the Micro SD card with the gold connection points facing away from the battery hole.
3. Insert the battery, make sure to match its connection points to the bottom of the hole, and then close and snap the door shut.



Power on

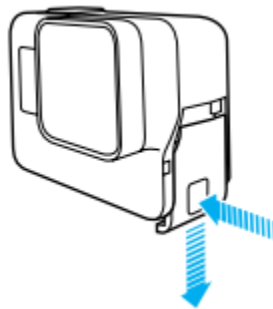
Press the Mode button. The camera beeps several times while the camera status lights flash. When information appears on the touch display or the camera status screen, the camera is on.

Power off

Press and hold the mode button for two seconds. The camera beeps several times while the camera status lights flash.

Charge the battery

1. Hold down the latch release button on the side door, then slide the door open.



2. Connect the camera to a computer or other USB charging adapter using the included USB-C cable.
3. Power off the camera. The camera status light should turn on during charging and turns off when charging is completed.

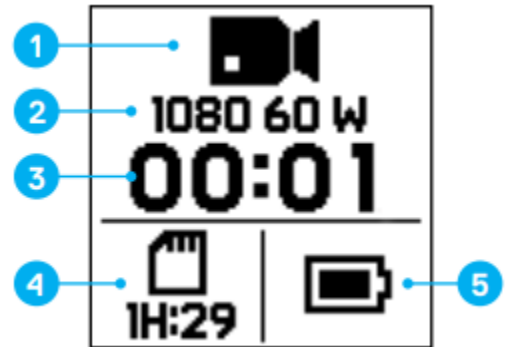
When charging with a computer, be sure that the computer is itself connected to a power source. If the camera status light does not turn on, use a different USB port.

The battery should charge to 100% in about 3 hours.

Camera status screen

The camera status screen on the front of the camera contains the following information about modes and settings so you can see the basics for your current setting at a glance:

1. Camera Mode
2. Settings
3. Number of files captured
4. Remaining Micro SD storage
5. Battery status



Display

The touch display on the back of the camera contains the following information about modes and settings on the main screen.

1. Wireless status
2. Time remaining/photos taken
3. Battery status
4. Camera mode
5. Settings
6. Advanced settings



Change modes

Press whatever icon is present in the diagram number 4. in the above display section. Choose between:

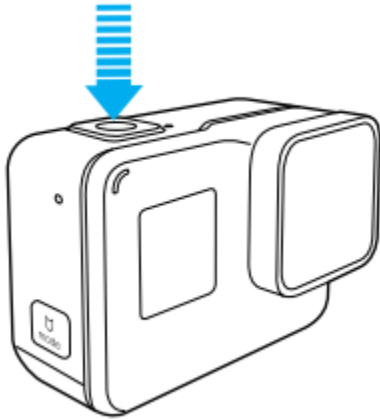
- Video
- Photo
- Burst
- Time Lapse Video
- Time Lapse Photo

Tap your choice to select it.

QUIKCAPTURE

QuikCapture lets you power up the HERO and start shooting with the press of a single button. Because the camera is powered on only when it is captured, you conserve battery power.

1. With the camera powered off, press the Shutter button. Hold the Shutter button to QuikCapture time lapse photos instead of video.



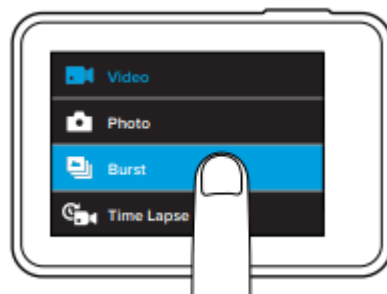
The camera powers on, beeps several times, and automatically begins capturing video. The camera status lights blink while the camera is recording.

2. To stop recording, press the Shutter button again. The camera stops recording, beeps several times, and powers off.

Taking video and photos

Use the touch display to preview your shots and change modes and settings before capturing by turning on the camera first instead of using QuikCapture. You'll have to power it off to save battery life.

1. Select a different mode than the current if needed:
 - a. Tap the icon in the lower left corner of the touch display.
 - b. Tap the capture mode you want. You may have to drag from the bottom to the top to scroll through more modes than fit in the short screen.



2. If needed, select different settings too.
3. Press the Shutter button. The camera beeps and the camera status lights flash while the camera is capturing.

4. To stop capturing video or time lapse, press the Shutter button. The camera beeps and the camera status lights flash quickly.

GoPro Hero Bicycle mount instructions

Slide the main GoPro Hero unit into the mounting buckle, and insert that into the bicycle mount.

To insert the mounting buckle into the bicycle mount, you may have to pull the plastic tab up to release the tension. Then you can reinsert the plastic tab when it's been inserted properly.

Pick either the large or small rubber insert to put inside the mount.

This mount allows for rotation once it's put together.

Tighten up all the screws and shoot/record an adventure!

GoPro Hero Strap and Quick Clip mount instructions

Unscrew the included screw if it was already screwed in.

Mount a GoPro Hero to either the Head Strap or to the QuickClip mount in either direction.

Screw the GoPro in securely.

Mount either the Head Strap to a head or place the QuickClip onto something ranging from 3mm to 10mm thick. Make sure to tighten the head strap appropriately so it doesn't fall off.

GoPro Hero Shorty Mini extension pole and tripod instructions

Unscrew the included screw if it was already screwed in.

Mount the GoPro Hero inside the teeth.

Screw the screw back in.

Push/pull the top (where the GoPro is) to extend/retract the extension pole.

Hold the unit (to use it like a selfie stick) where the three legs of the tripod are.

Manually pull open the three legs of the tripod and set it down on a flat, sturdy surface.